



TYSON STROLLER

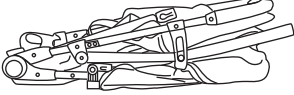
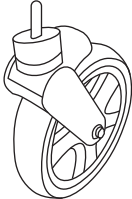
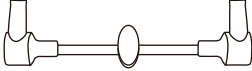


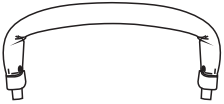

Instruction manual



**IMPORTANT:
RETAIN FOR FUTURE REFERENCE
READ CAREFULLY**

THIS PRODUCT CONFORMS TO EN 1888-2:2018+A1:2022

Parts List

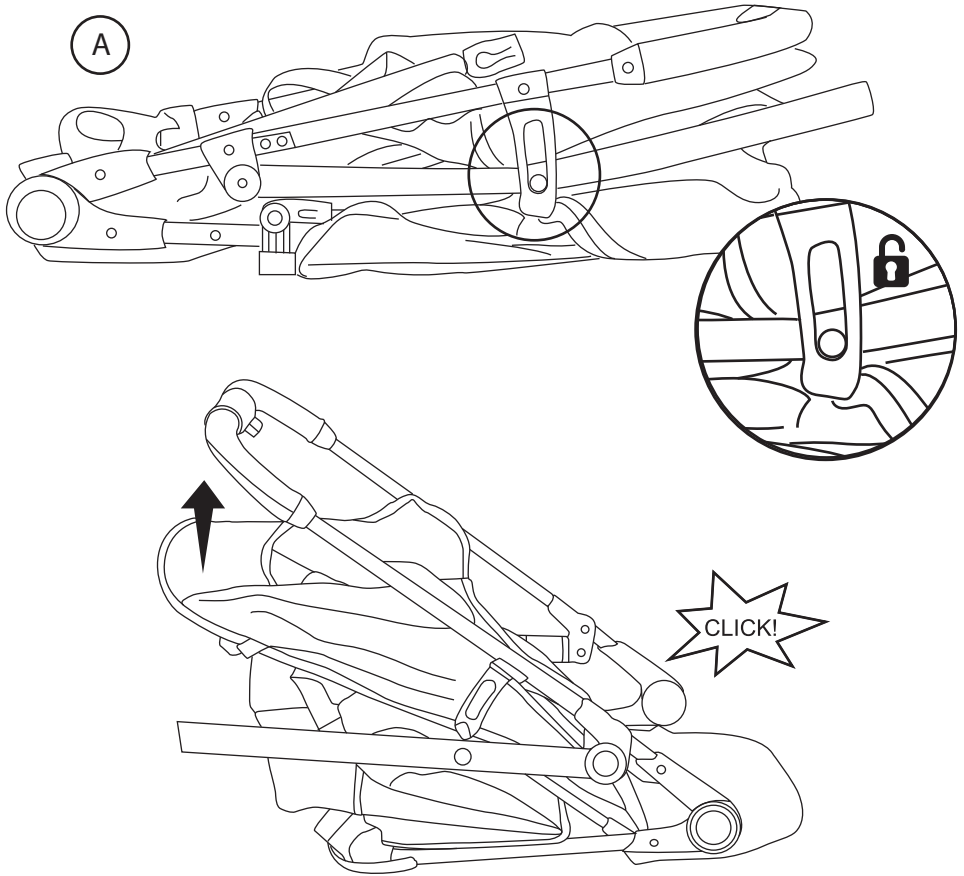
<p>A</p>  <p>stroller x1</p>	<p>B</p>  <p>front wheels x2</p>	<p>C</p>  <p>axle brake unit x1</p>
<p>D</p>  <p>rear wheels x2</p>	<p>E</p>  <p>canopy x1</p>	<p>F</p>  <p>bumper bar x1</p>
<p>G</p>  <p>cup holder x1</p>		

Assembly

1. Release the stroller (A) from the locked position by lifting the locking catch from over the locking rivet on the frame.

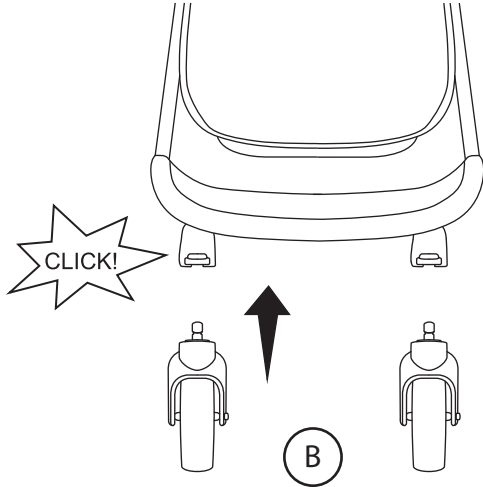
Note. You may have to squeeze the legs and handles together first so as to release the tension on the rivet.

Standing behind the stroller and holding it by the handle, lift the handle upwards to unfold the stroller.

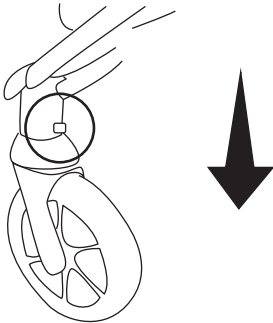


Assembly

2a. Attach the front wheels (B). Insert wheel housing onto the front leg and push upward until you hear it “click” into position. Repeat for other side.

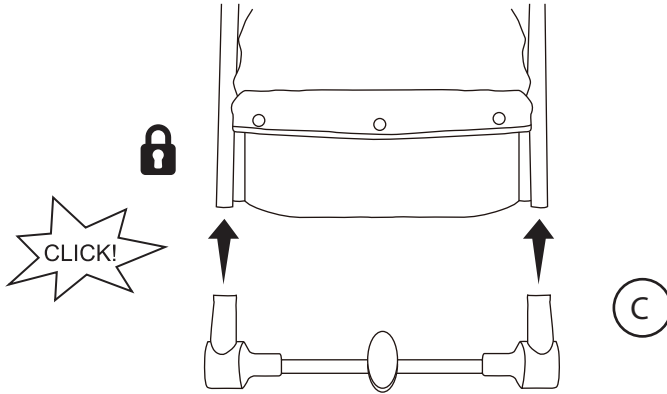


2b. To remove, push release button indicated below and pull wheel from hub.

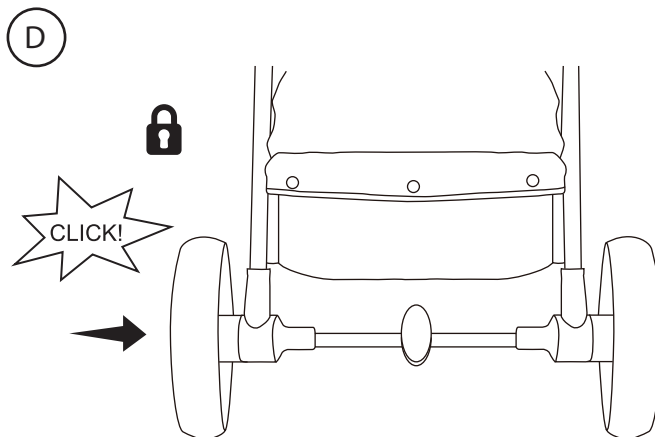


Assembly

3. Connect the axle brake unit (C) to the rear legs. Slide the axle brake unit on to the rear legs until the push pins become visible through the holes and you hear them “click” into position.

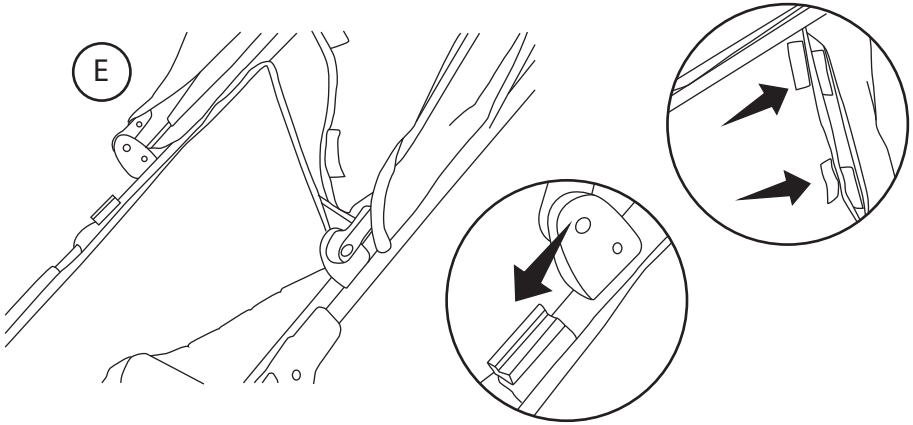


4. Connect the rear wheels (D) to the rear wheel axle. Push the wheel into the allocated area for the rear wheel, you will hear a “click” when secure.

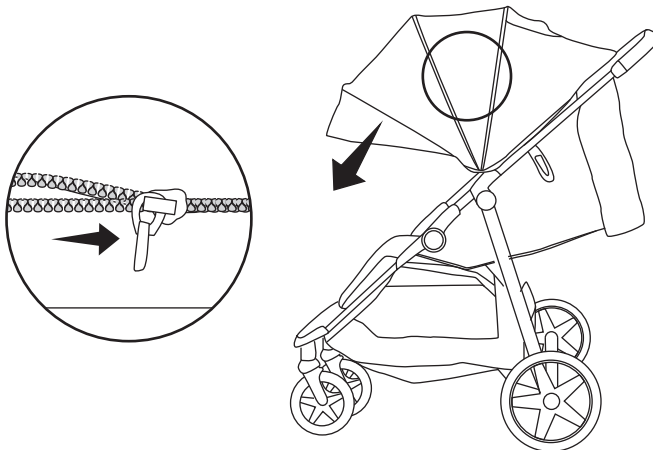


Assembly

5a. Insert the canopy (E) clips into the slot located on each side of the seat unit and fasten the Velcro fasteners on both sides.

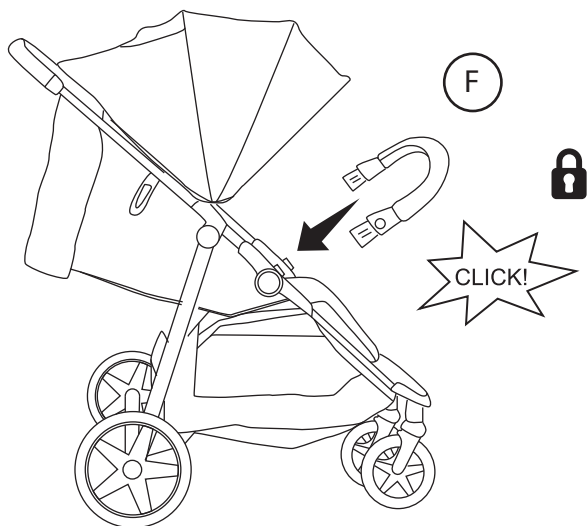


5b. To extend the canopy, fully unzip the canopy zipper and pull the canopy rim forward.



Assembly

6. Attach the bumper bar (F) by aligning the anchors with the slots on the seat unit. Push until the bumper bar “clicks” into place.
NOTE. The bumper bar must be securely attached before using this product.
Press the buttons on both sides to remove the bumper bar.



Backrest Adjustment

Locate the backrest adjustment mechanism at the rear of the seat. Squeeze the clip on the reclining harness and gently lower the backrest. Alternatively, squeeze the clip on the reclining harness and gently pull up the backrest to the desired height.



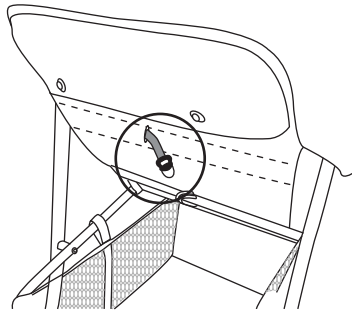
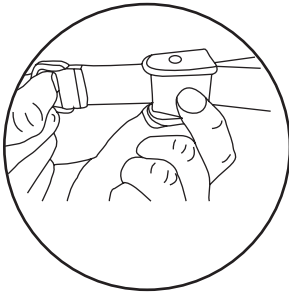
WARNING!

Always ensure that the seat is securely fixed in position before use.



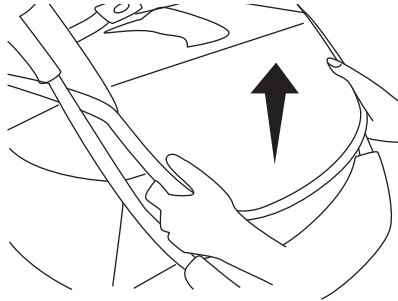
WARNING!

For babies under 6 months, the backrest should not be reclined less than 150 degrees.



Calf Rest Adjustment

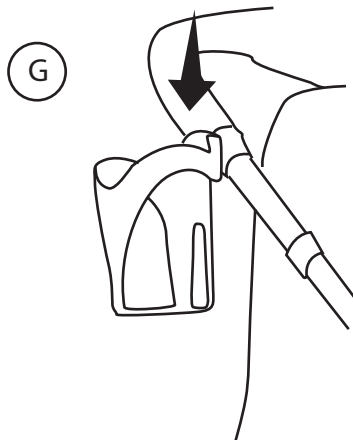
Use both hands to hold the calf rest as shown, there is a release button on either side by your index finger. Press and lift the calf rest to adjust.



Cup Holder

Slot the cup holder (G) into the cup holder housing on the side of the handlebar frame.

To remove the cupholder, push upwards.



Brakes

To engage brakes, apply downward pressure to the brake lever located on the rear axle. Check that the stroller does not move once the brakes are properly applied.

To release, gently lift up on the brake lever.



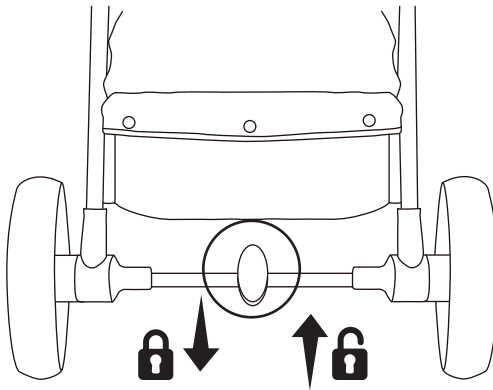
WARNING!

Always engage wheel brakes when the stroller is not moving.



WARNING!

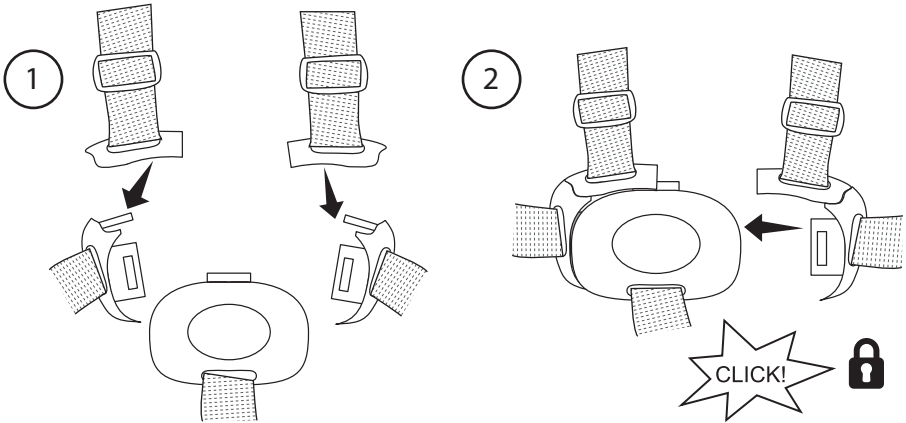
Always apply the brake when you are placing and removing the child.



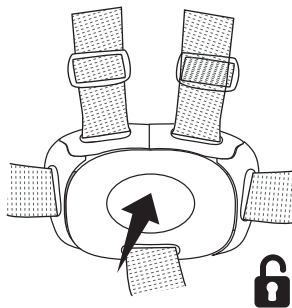
Harness

1. Clip the waist strap buckle into the housing on the shoulder strap buckle. Repeat for the other side.

2. Insert the completed buckle into the buckle housing until it engages securely in place. Listen for the "click". Repeat for the opposite side.

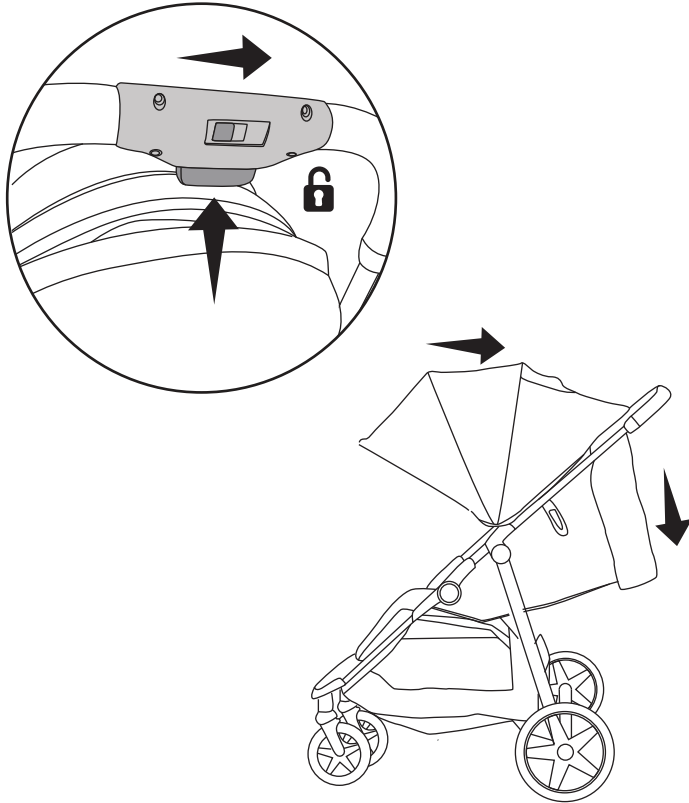


3. Press the centre button to release child from harness.



Folding

1. Fold the canopy back and apply the brake.
2. On the handle, slide the folding button across and push up the safety lock.
3. Push the stroller handle down until the lock engages with a “click”.



Safety

IMPORTANT: KEEP FOR FUTURE REFERENCE. READ CAREFULLY

⚠ WARNING! Keep for future reference. The child may be hurt if you do not follow these instructions.

⚠ WARNING! A child's safety is your responsibility.

⚠ WARNING! Before using, remove and dispose of any plastic bags and other packaging (e.g. fasteners, fixing ties, etc.) and keep them out of reach of children.

⚠ WARNING! This vehicle is intended for one child from birth (0 months) and up to a maximum weight of 22kg or 4 years, whichever comes first.

⚠ WARNING! Never leave the child unattended.

⚠ WARNING! Ensure that all locking devices are engaged before use.

⚠ WARNING! To avoid injury, ensure that your child is kept away when unfolding and folding this product.

⚠ WARNING! Do not let your child play with this product.

⚠ WARNING! Always use the harness restraint system.

⚠ WARNING! Always use the crotch strap in combination with the waist belt section of the harness.

⚠ WARNING! This product is not suitable for running or skating.

⚠ WARNING! Any load attached to the handles affects the stability of the stroller.

⚠ WARNING! A child under 6 months of age should be placed in a flat position, no less than 150 degree angle.

⚠ WARNING! Use caution when travelling on uneven ground, as the front wheels may swivel.

Safety

- A basket is provided for the carriage of 3kg of items evenly distributed.
- Do not let children play with or hang on the stroller.
- Do not overload this stroller with additional children, goods or accessories.
- Bags and other items should not be hung from the handle as this can affect the stability of the stroller.
- Overloading, incorrect folding and the use of non-approved accessories is unsafe and may damage or break this stroller.
- Do not use parts or accessories which are not approved by the manufacturer.
- Always apply the parking brake when the stroller is stationary.
- Ensure the parking brake is engaged during the loading and unloading of children.
- Do not allow your child to climb into the stroller.
- Never leave a raincover, hood or apron on indoors, in a hot atmosphere or near a heat source as your child may overheat.
- Be careful when going up or down kerbs.
- Remove your child and fold the stroller when going up or down escalators.
- If your stroller is used by someone unfamiliar with it e.g. Grandparents, always show them how it works.
- Do not use this stroller near an open fire or exposed flame.
- Take care in windy conditions.
- Do not place anything on top of a raincover.
- To prevent your child overheating, always fold or remove a raincover when indoors or in warm environments.
- This product conforms to EN 1888-2:2018+A1:2022.

Care and Maintenance

- The product requires regular maintenance to ensure correct and safe performance.
- Regularly inspect the wheels, locks, brakes, harness, catches, seat adjusters, joints and fixings to ensure they are clean, operating correctly and in full working order.
- Replace tyres if they are excessively worn.
- Do not use this product if any part is broken, torn or missing and use only spares provided by the manufacturer.
- If parts become stiff or difficult to operate, ensure dirt is not the cause, then try a light application of a silicon lubricant, ensuring it penetrates between the components. Regular lubrication of moving parts will extend the life of your product and make opening and folding easier.
- The stroller should be serviced and reconditioned before using for a second baby, or within 18 months, whichever is sooner.
- After exposure to damp conditions, dry off with a soft cloth and leave fully open in a warm environment. Storing damp will encourage mildew to form.
- Store in a dry place.
- Do not leave in sunlight for prolonged periods as some fabrics may fade.
- Spot or sponge clean fabrics with mild detergent.
- Use mild soap or upholstery shampoo.
- Wash separately.
- NEVER use bleach.
- Dry in shade thoroughly before reuse and avoid direct heat and sunlight.
- Do not iron.
- Do not dry clean.
- Wipe clean plastics and metals with damp cloth.
- Never clean any part of the product with abrasive, ammonia based, bleach based or spirit type cleaners.
- Ensure the product is fully dry before use or storage.
- Always ensure the product is stored in a dry place to prevent mold or mildew developing.

Due to variation in style and design the illustrations used in this instruction manual are generic.
Variation in design may occur in the images shown.



Supplied by Baby Factory NZ. Ltd.
58 Stonedon Drive
East Tamaki
Auckland
New Zealand
www.babyfactory.co.nz